

SOHNNE®

ASSEMBLY INSTRUCTION

Corbusier LC4 Chaise Lounge

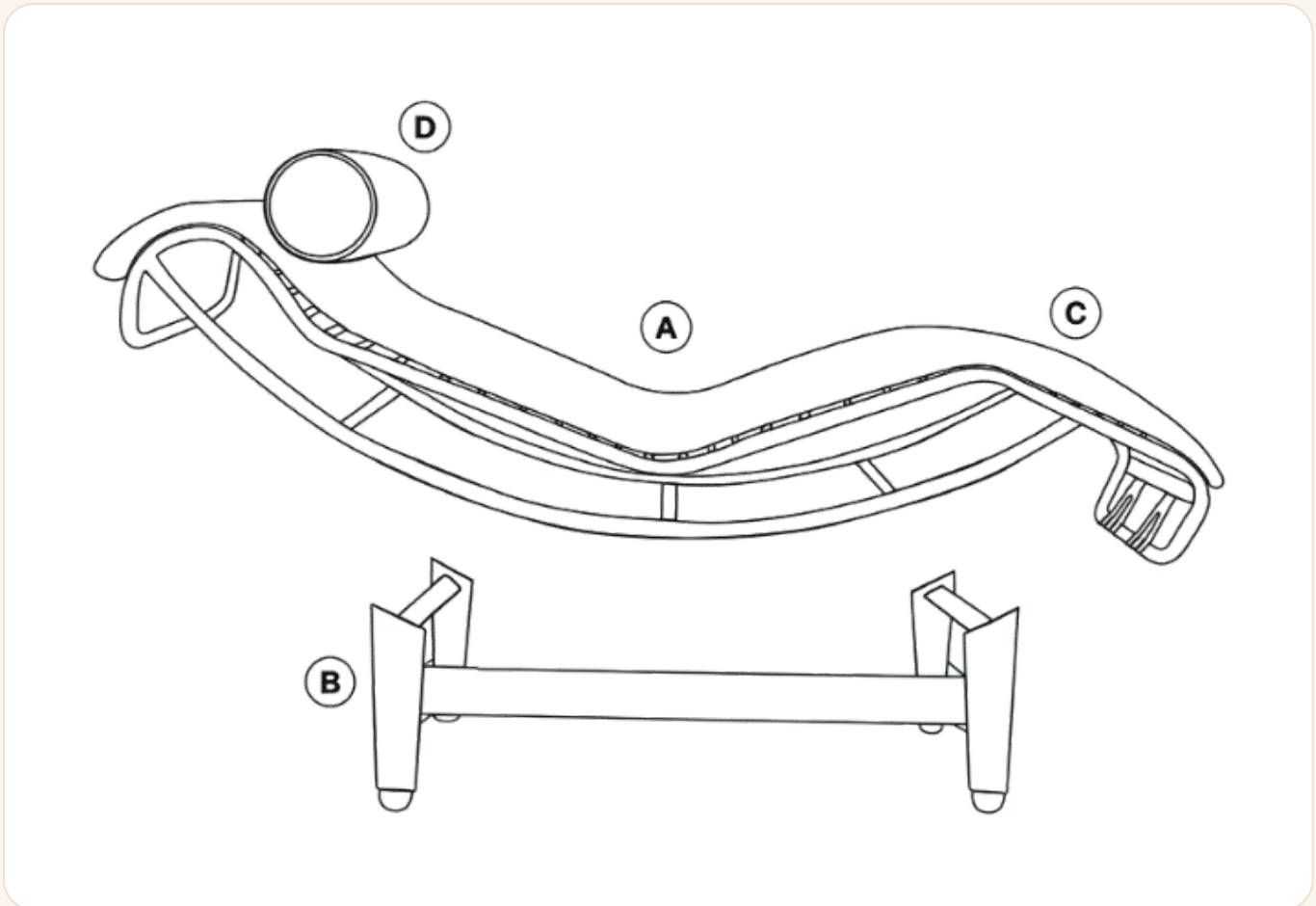


Welcome Guide

www.sohnne.com

In the Box

The LC4 Chaise Lounge arrives in just four parts. Lay them out and identify each one before you begin — no tools are required, the frames simply rest together.



A Upper Frame
QTY 1

B Base Frame
QTY 1

C Cushion
QTY 1

D Headrest Cushion
QTY 1

TOOLS NEEDED
None — no fasteners

WARRANTY
12-month manufacturer

1 Position the Base Frame (B)

Place the base frame (B) on the floor with the arched sides facing upward. Make sure it sits stable and balanced — this will be the foundation.

2 Place the Upper Frame (A)

With both hands, lift the upper frame (A) and carefully rest it on the base frame (B). The curved tubes of (A) should sit neatly in the cradles or rubber pads of the base. Check that it can rock smoothly back and forth — this is how the chair adjusts recline.

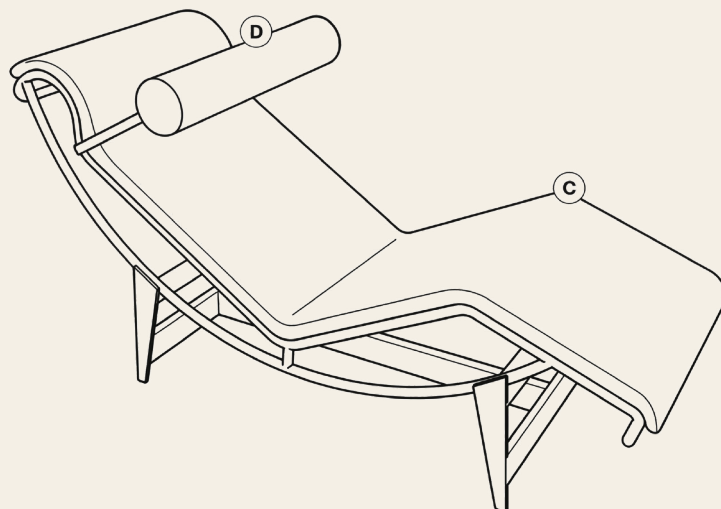
3 Attach the Cushion (C)

Lay the cushion (C) along the upper frame (A) and align the edges and straps with the metal frame. Secure using the leather straps, snaps, or ties (depending on model), keeping it centered and smooth.

4 Install the Headrest Cushion (D)

Position the headrest cushion (D) at the top of the seat cushion (C) and loop its leather straps around the tubular frame to hold it in place. Adjust for comfort — it should rest just beneath your neck when reclined.

FINISHED · RECLINED POSITION



SOHNNE®

@sohnne

SHARE · REVIEW · EARN

Worth sharing.

\$100

FOR A VIDEO REVIEW

\$50

FOR A PHOTO REVIEW

 Tag us @sohnne

www.sohnne.com