

SOHNNE®

ASSEMBLY INSTRUCTION

DS-600 Snake

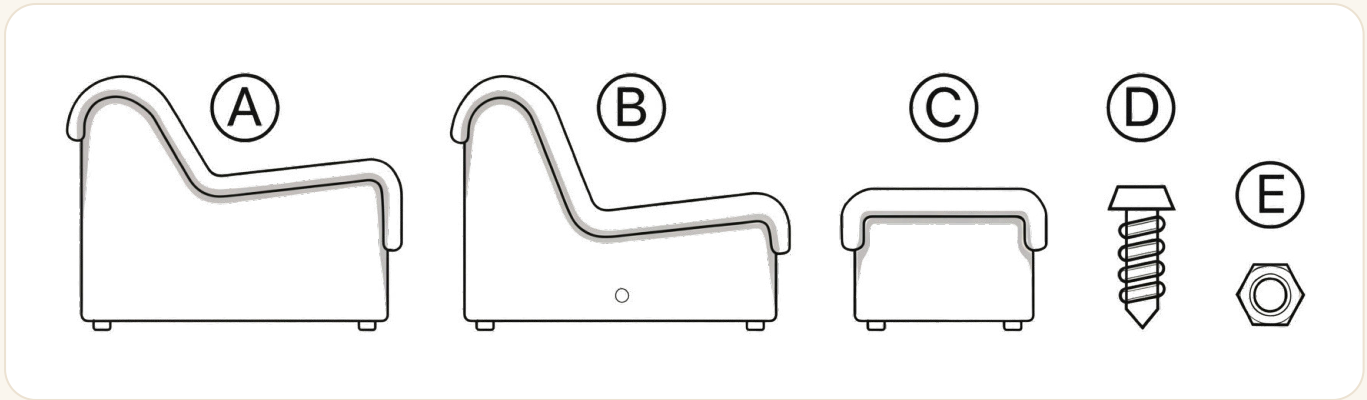


Welcome Guide

www.sohnne.com

In the Box

The DS-600 Snake is a modular sofa. Identify every element and fastener before you begin — you'll need only an Allen wrench and a Phillips screwdriver.



A End Element with Armrest
QTY 1

B End Element without Armrest
QTY 14

C Ottoman
QTY 4

D Bolt / Screw
QTY 18

E Nut
QTY 18

LAYOUT MODE
Linear or Curved

1

Attach legs to the Ottomans (C)

Fix the legs to the Ottoman units (C) with the provided bolts and screws (D). Use the Allen wrench and Phillips screwdriver to securely tighten the bolts and nuts (E).

2

Connect the modules

Join the End Elements (A) and (B) to each other. Align the pre-drilled connectors on the sides, slide them into place, and secure with bolts and nuts (D, E) using the Allen wrench.

3

Build the layout

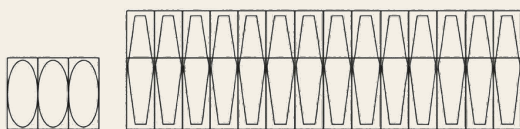
For a Linear layout, align the modules in a straight line. For a Curved layout, arrange the sections into the curve you want — using the same connection method as Step 2.

4

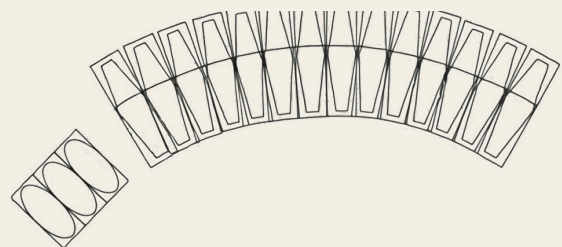
Secure all modules

Check that every module is securely connected and aligned, then tighten any remaining loose bolts and nuts.

LINEAR LAYOUT



CURVED LAYOUT



ASSEMBLY

5

Attach the backrest (if applicable)

For configurations that include a backrest, attach it to the designated sections with the provided screws and fasten it firmly to the connecting parts of the modules.

6

Add cushions & upholstery

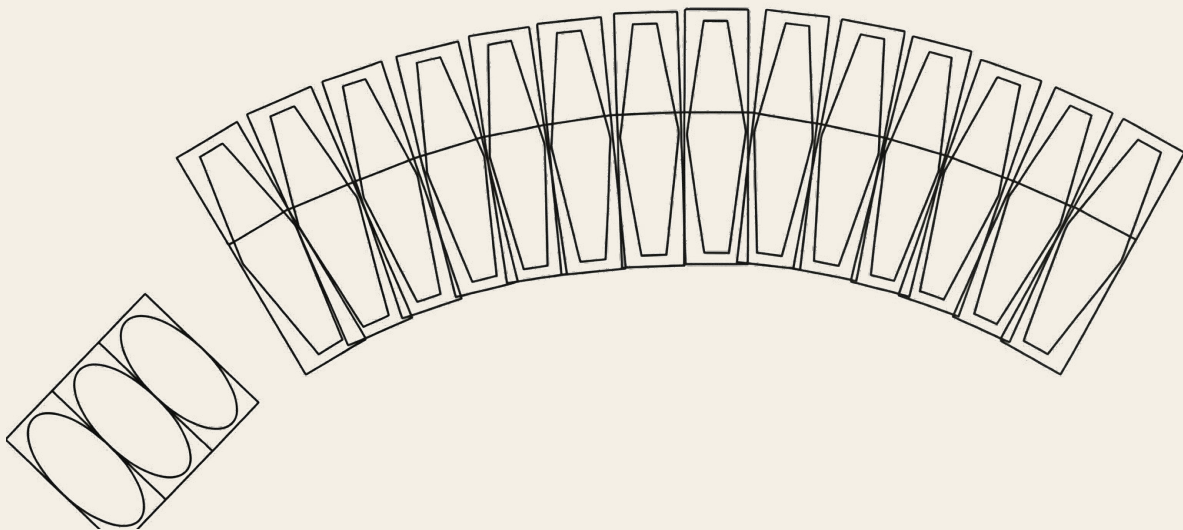
Place the seat and back cushions into their respective modules, making sure each cushion fits snugly for a seamless look and feel.

7

Final check

Go over all connections and bolts to confirm everything is tightened, then adjust the modules as needed for full stability.

FINISHED · CURVED LAYOUT



SOHNNE®

@sohnne

SHARE · REVIEW · EARN

Worth sharing.

\$100

FOR A VIDEO REVIEW

\$50

FOR A PHOTO REVIEW

 Tag us @sohnne

www.sohnne.com