

SOHNNE®

ASSEMBLY INSTRUCTION

# Fritz Coffee Table 39"

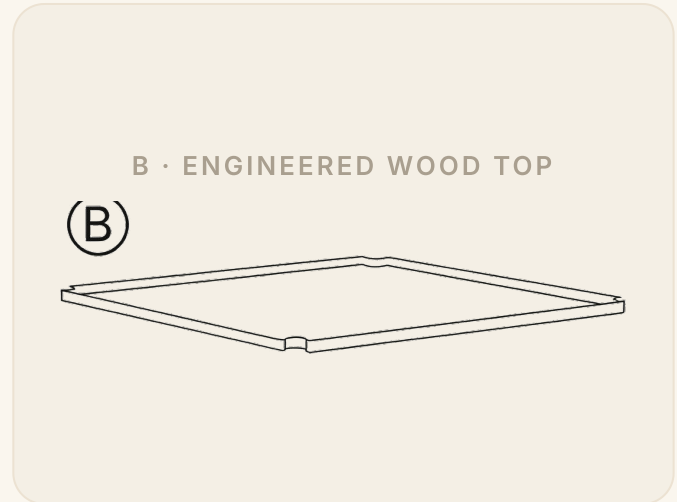
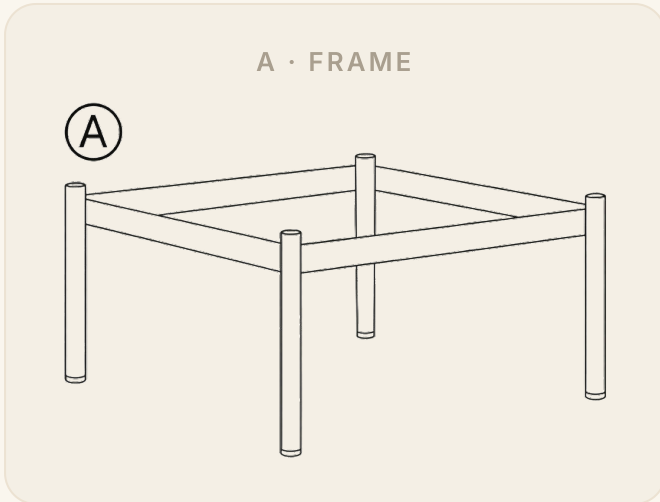


# Welcome Guide

[www.sohnne.com](http://www.sohnne.com)

# In the Box

The Fritz Coffee Table arrives as two parts. Identify each one and clear a soft, protected surface before you begin — no tools are required to assemble it.



**A** Frame  
QTY 1

**B** Engineered Wood Top  
QTY 1

TOOLS REQUIRED  
None — tool-free fit

WARRANTY  
12-month manufacturer

1

## **Position the frame (A)**

Set the Frame (A) upright on a protected surface. Make sure all four legs sit flat and that the inner support rails form a level square.

---

2

## **Identify the top's underside**

Flip the Top (B) so the underside faces up. You'll see small corner notches that clear the frame's posts.

---

3

## **Align**

Hold the top over the frame. Align each corner notch with the corresponding frame post so the edges are parallel to the rails on all sides.

---

4

## **Lower into place**

Lower the top straight down into the frame opening, keeping fingers clear of the edges. It should nest inside the rails and sit flush all around.

---

5

## **Check flush & stability**

Run a hand around the perimeter to confirm even gaps and a level surface. If a corner is high, lift slightly, realign and reseal.

# Keeping it level and beautiful



## **Steady any rock**

If the table rocks on your floor, add felt pads under one or more legs until it sits firm and level.

---



## **Clean the top gently**

Wipe with a slightly damp, non-abrasive cloth and dry immediately. Avoid harsh solvents and standing moisture on the engineered wood.

SOHNNE®

@sohnne

SHARE · REVIEW · EARN

# Worth sharing.

\$100

FOR A VIDEO REVIEW

\$50

FOR A PHOTO REVIEW

📷 Tag us @sohnne

[www.sohnne.com](http://www.sohnne.com)